

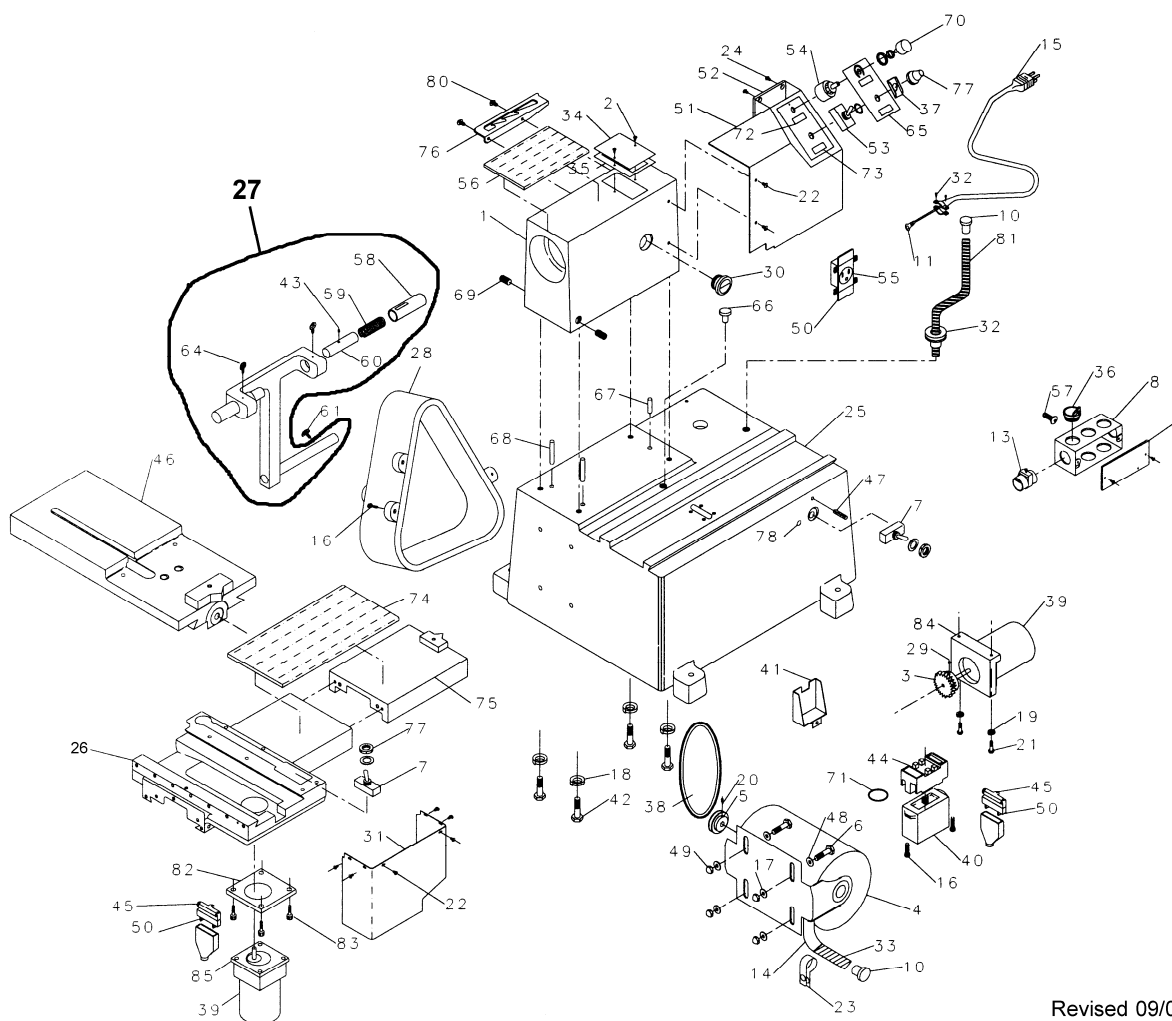
TRUECUT 401

Spare Parts list

HOFMANN® 

Date 11/29/17

Main Housing



Revised 09/04

No.	Part no.	Description	No.	Part no.	Description
1	CL3-1	HEAD	20	CL727	HALF DOG
2	CL39	6/32 X 3/8 RHMS	21	CL223	1/4-20X3/4 SHCS
3	CL84	SPROCKET up to SN #6929	22	CL225	10/24X1/4 BSHCS
	CL809	SPROCKET from SN #6930V0801	23	CL250-1	P-CLIP
4	4312	MOTOR (CL90-1)	24	CL269	#6 X 3/8 STS
5	CL686	PULLEY	25	CL500	BASE
6	CL94-1	5/16-18X1 1/4 CB	26	CL501-1	DRUM CARRIAGE
7	CL101-1	SWITCH	27	CL503A	STABILIZER (Complete)
8	CL103-1	ELECTRICAL BOX	28	CL679	BELT COVER
9	CL104-1	ELECT. BOX COVER	29	CL524	1/4-28X1/2 SSS
10	CL106	ANTI SHORT	30	CL532-1	SITE GLASS
11	CL113	CONNECTOR	31	CL536-2	GEAR MOTOR COVER
13	CL116	CONNECTOR	32	CL539	CONNECTOR
14	CL117	CONNECTOR	33	CL541	CONDUIT
15	CL118	POWER CORD	34	CL545	COVER
16	CL121-2	10/24X1 1/4 RHMS	35	CL546	GASKET
17	CL180	5/16 LOCK WASHER	36	CL548	CONNECTOR
18	CL181	3/8 LOCK WASHER	37	CL549	SWITCH GUARD
19	CL185	1/4 LOCK WASHER	38		Belt - See Speed Changer page

No.	Part no.	Description	No.	Part no.	Description
39	See below	Gear Motor up to SN #6929		See Below	For model numbers
	CL802	Gear Motor from SN #6930V0801			
40	See below	Speed Control Pack		See Below	For models numbers
41	CL557	SWITCH GUARD	62	CL632	CONNECTOR (FLAG)
42	CL560	3/8-16X1 3/4 HHCS	64	CL631	THUMB SCREW
43	CL568	10/32X5/16 SSS	65	CL635-1	LABEL
44	CL577	SPEED CTRL SOCKET	66	CL637	PLUG
45	CL578	Capacitor up to #6929	67	CL638	5/16X3/4 PIN
	CL815	Capacitor from #6930V0801	68	CL639	5/16X1 1/2 PIN
46	CL584	DISC CARRIAGE	69	CL640	3/8-16 X 1"SSS
47	CL588	SAFETY STOP	70	CL814A	POTENTIOMETER CAP
48	CL596	WASHER 3/8	71	CL641	O RING
49	CL597	5/16-18 NUT	72	CL663	DISC IND. LIGHT
50	CL603	CONNECTOR	73	CL664	DRUM IND. LIGHT
51	CL826	SWITCH PANEL BOX	74	CL678	CARRIAGE TOOL PAD
52	CL827	COVER	75	CL680	CARRIAGE EXTENSION
53	CL616-4	SWITCH	76	CL677	SPEED LOCATOR
54	CL617	POTENTIOMETER (10 K ohm)	77	CL670	TOGGLE BOOT
55	CL619-1	OUTLET	78	CL662	INDICATOR LIGHT
56	CL621	TOOL PAD	80	CL656	1/4-20X1/2 BSHCS
57	CL627	10/24X1/2 RHMS	81	CL541-1	SEALTITE EF
58	CL628	PLUNGER HOUSING	82*	CL808	Gear Motor Mount Plate
59	CL629	SPRING	83*	CL813	M5-(0.8X20)-SHCS
60	1103	PLUNGER (set of 2)	84*	CL804	GEAR MOTOR MOUNT
61	CL631-1	T-KNOB	85*	CL801	GEAR MOTOR BOX

* used only with the new gear motor CL802

Starting from A916V1117 Speed Controller (feed motor has not changed)

Part #	Description	Model #
CL803-1	Speed Controller	ES01

Starting from SN #6930V0801 – A915V1117 Speed Control Pack

Part #	Description	Model #
CL801	180-1 Transmission	2GN180KA
CL802	Gear motor	MSM206-401WU
CL803B	Speed Control Pack	SSP-1
CL815	Capacitor	CH25FAUL
CL809	SPROCKET	

Machines up to #6929

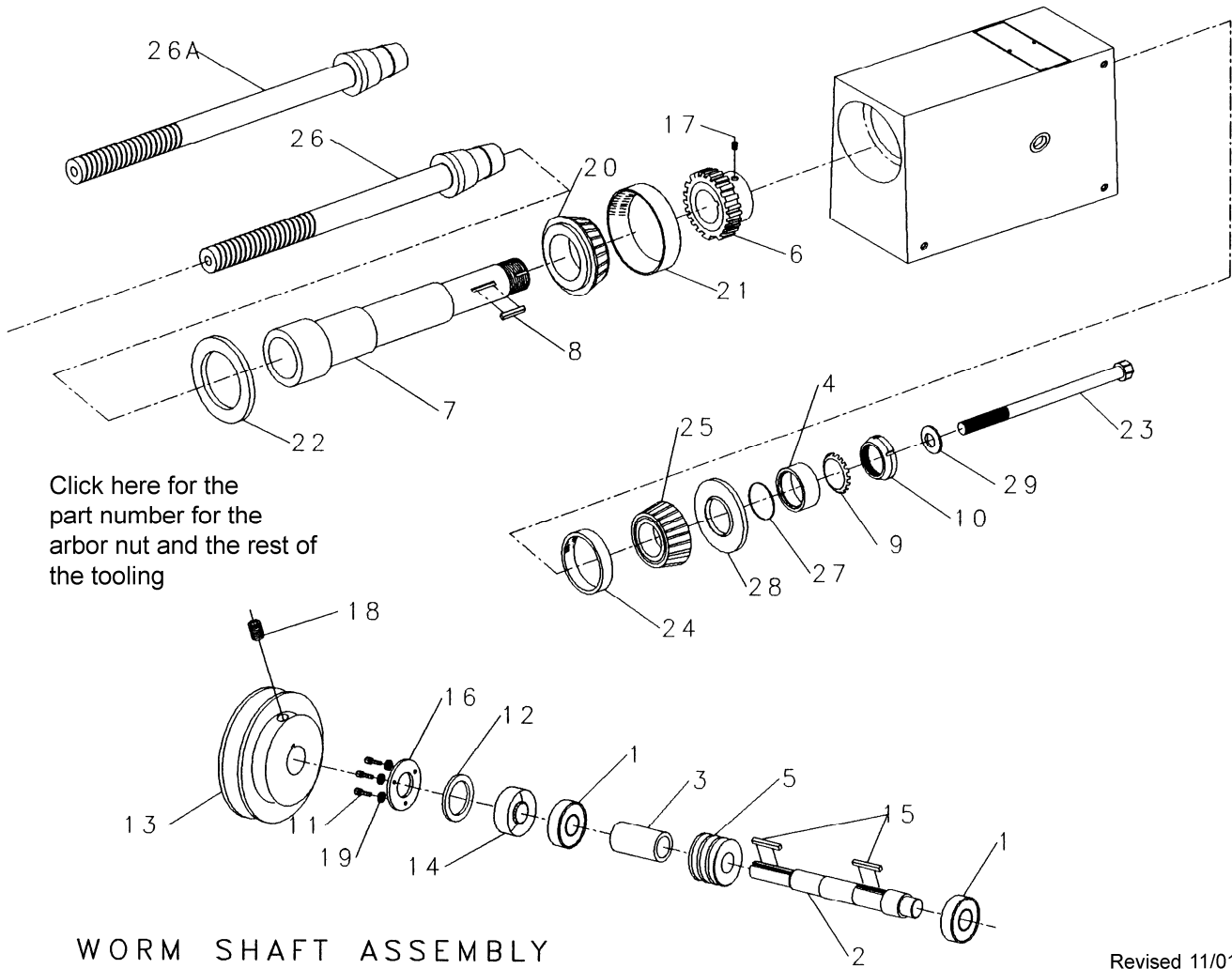
Part #	Description	Model #
CL555B	180-1 transmission	4GN180KA (No longer available)
CL555A	Gear motor	41K22RGN-AUL (No longer available)
CL556	Speed Control Pack	SS21-UL-G2 (No longer Available Order CL803B)
CL578	Capacitor	
CL84	SPROCKET	

If an old style Disc feed motor is needed Order – CL801, CL802 & CL808 also 4 10-24 x 3/4" screws**

If an old style Drum feed motor is needed Order – CL801, CL802 & CL804 & CL809

**Can be purchased locally at a hardware store

Spindle Shaft Assembly

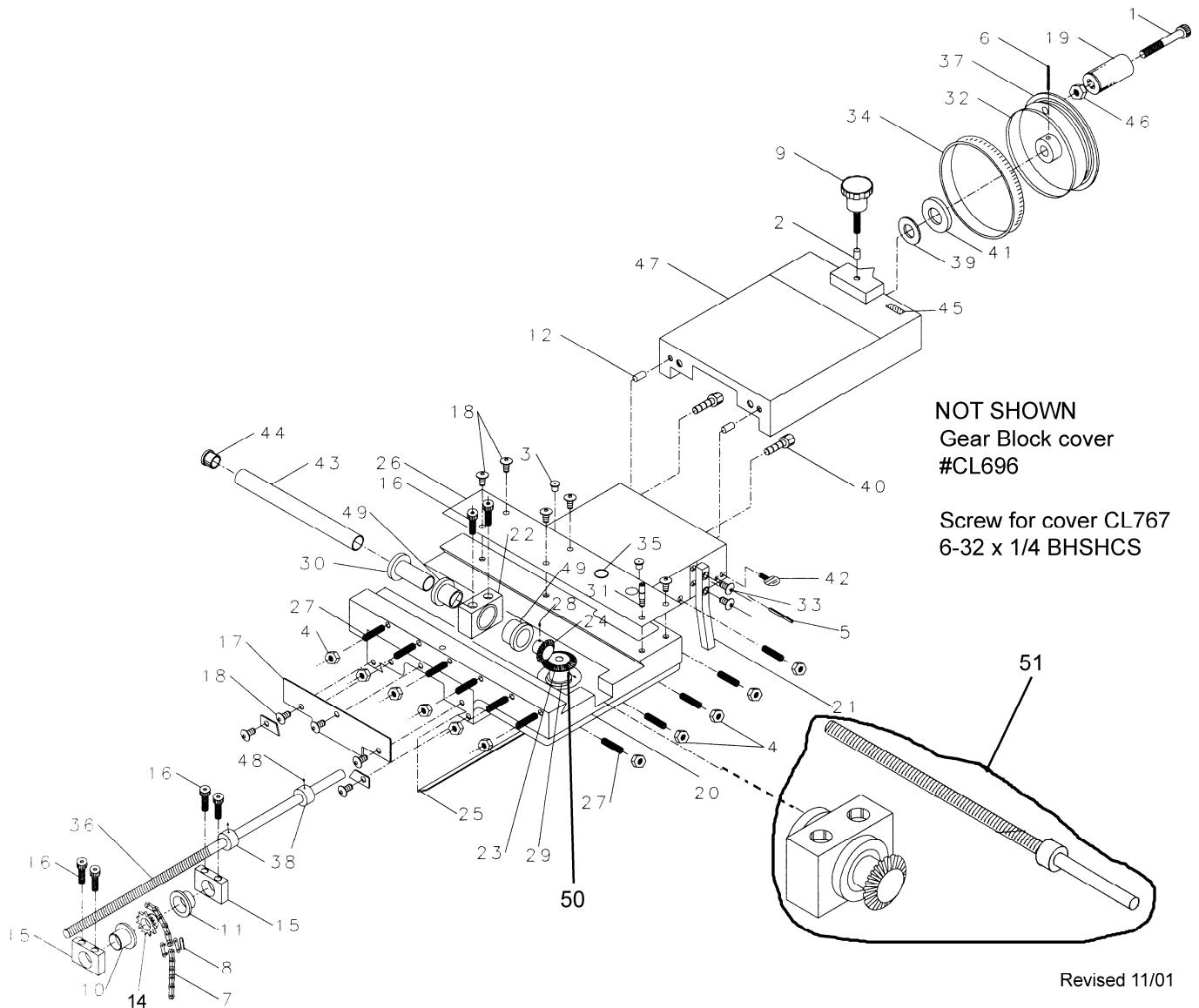


WORM SHAFT ASSEMBLY

Revised 11/01

NO.	PART NO.	DESCRIPTION	NO.	PART NO.	DESCRIPTION
1	CL20	BEARING	16	CL47	RETAINER PLATE
2	CL27-1	WORM SHAFT	17	CL193	5/16-18 X 5/16 SSS
3	CL28-1	SPACER	18	CL192	1/4-20 X 1/4 SSS
4	CL30-1	SEAL SPACER	19	CL201	#6 LOCK WASHER
5	CL31	WORM GEAR	20	CL261	BEARING CONE
6	CL32	BRONZE GEAR	21	CL262	BEARING CUP
7	CL33-2	SHAFT	22	CL263	SEAL
8	CL34	KEY	23	CL264-2	DRAW BOLT
9	CL35	LOCK WASHER	24	CL276-1	BEARING CUP
10	CL36	LOCK NUT	25	CL276-2	BEARING CONE (BDL-276-2)
11	CL39	6/32 X 3/8 RHMS	26	CL538	1" ARBOR STANDARD 10.5" LONG
12	CL40	SHIM	26A	CL538-1	1" ARBOR OPTIONAL, 14.5" LONG
13	CL683	PULLEY	27	CL636	"O" RING
14	CL42	SEAL	28	CL38	SEAL
15	CL43	KEY	29	CL695	1/2" SAE FLAT WASHER

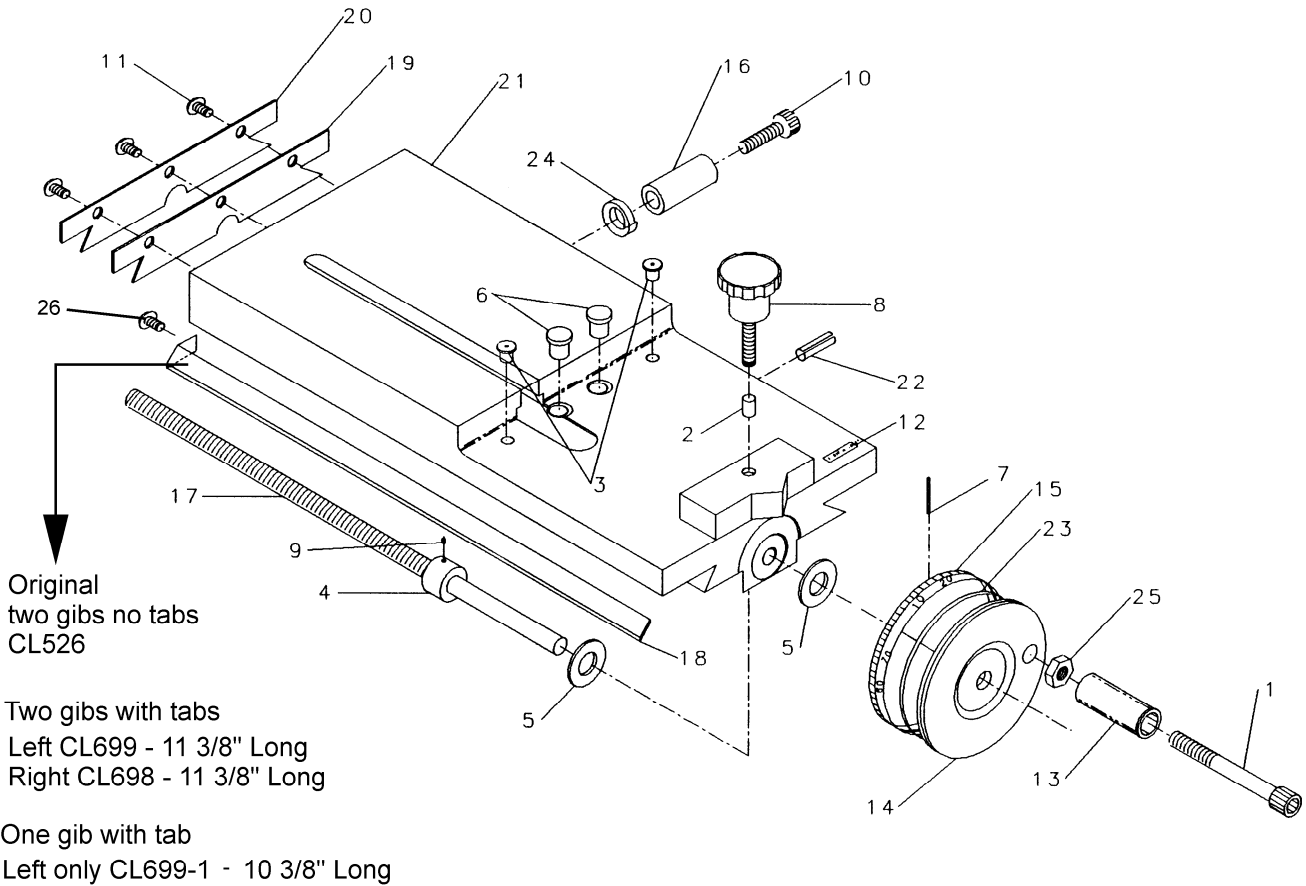
Carriage Assembly



Revised 11/01

No.	Part No.	Description	No.	Part No.	Description	No.	Part No.	Description
1	CL11-1	5/16-18 X 3" SHCS	19	CL265-2	PLASTIC SWIVEL	36	CL672	LEAD SCREW
2	CL012	BRASS PLUG	20	CL501-1	CARRAIGE	37	CL681	HANDWHEEL
3	CL15-1	OILER	21	CL514-2	SHUT OFF ARM	38	CL684	COLLAR
4	CL17	1/4- 20 JAM NUT	22	CL516	BLOCK	39	CL685	THRUST WASHER
5	CL21	SPRING PIN 1/8 X 7/8	23	CL517	GEAR up to #6929	40	CL693	5/16-18 X 1-1/4
6	CL81	SPRING PIN 1/8 X 1		CL812	Gear from #6930V0801	41	CL694	SPACER
7	CL786	CHAIN	24	CL519-1	GEAR	42	CL643	THRUMB SCREW
8	CL87	CONNECTING LINK	25	CL525-1	GIB	43	CL658	LEAD SCREW TUBE
9	CL141-1	LOCKING SCREW ASSEMBLY	26	CL544-2	SWITCH COVER PLATE	44	CL659	LEAD SCREW TUBE PLUG
10	CL159-1	BUSHING	27	CL562	1/4-20 X 1 SSS OVAL POINT	45	CL245-2	DIVISION LABEL
11	CL159-2	BUSHING	28	CL568	10-32 X 1/4 SSS	46	CL98	5/16 JAM NUT
12	CL204	1/4 X 3/4 DOWEL	29	CL571	BUSHING	47	CL680	CARRAIGE EXTENSION
14	CL167-1	SPROCKET	30	CL585	GEAR SLEEVE	48	CL192	1/4-20 X 1/4 SSS
15	CL216	BLOCK	31	CL587	SAFETY STOP	49	CL159-1A	BUSHING
16	CL223	1/4-20 X 1-1/4 SHCS	32	CL602	O RING	50	CL524	Set Screw 1/4-28 x 1/4
17	CL224-1	WIPER	33	CL626	1/4-20 X 5/8 BSHSCS	51	CL516C	Gear Block Assembly Gear Block & Lead Screw
18	CL225	10-24 X 1/4 BSHSCS	34	CL647	INDICATOR DIAL DRUM			
			35	CL662	INDICATOR LIGHT			

Cross Slide Assembly



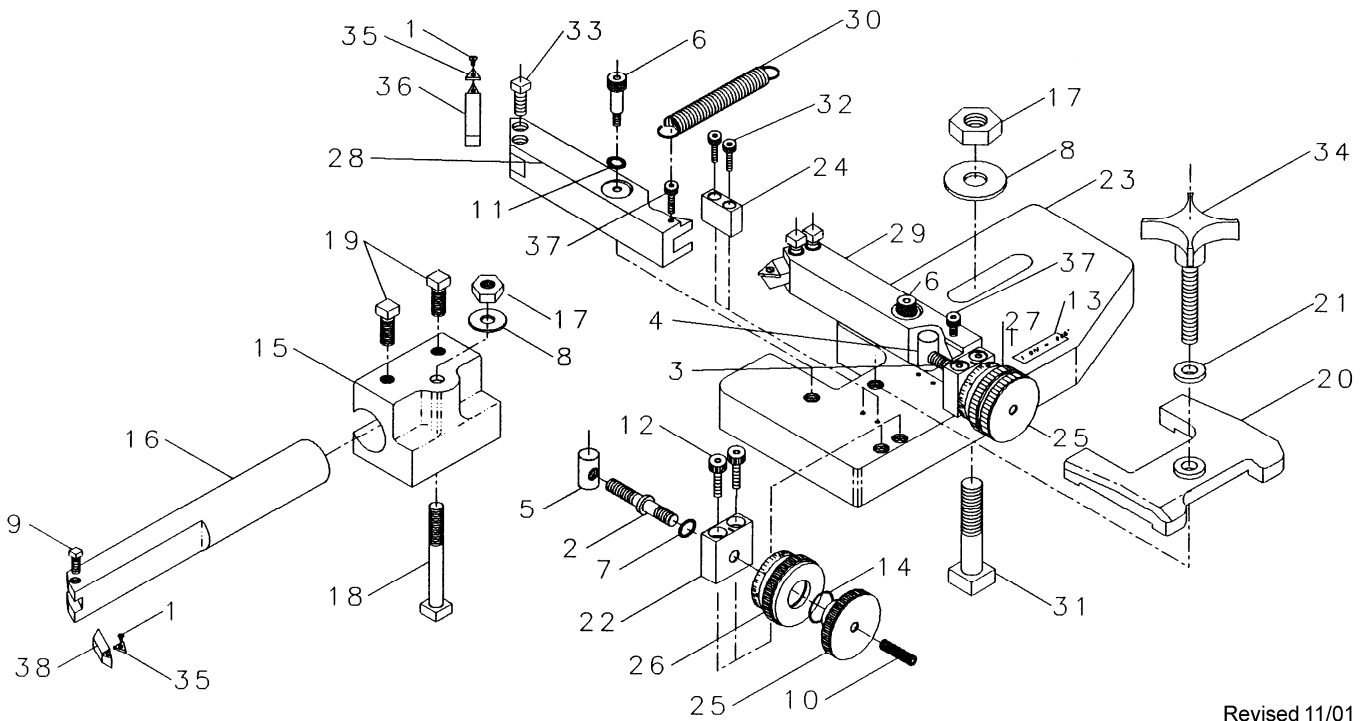
Screw used to attach gib
CL741 10 - 24 x 3/8" BSHS

Revised 11/01

No.	Part No.	Description	No.	Part No.	Description
1	CL11-1	HANDLE 5/16-18X3 SHCS	14	CL509	HANDWHEEL
2	CL012	BRASS PLUG	15	CL510	INDICATOR DIAL
3	CL15-1	OILER	16	CL513	SWITCH SHUT OFF ARM
4	CL59	COLLAR	17	CL516C*	Leadscrew (11 3/4" long) & Gear Block
5	CL67-1	THRUST WASHER	18	CL699-1	GIB
6	CL73	RUBBER PLUG	19	CL661	WIPER
7	CL81	1/8 X 1 SPRING PIN	20	CL660	RETAINING PLATE
8	CL141-1	LOCKING SCREW KNOB ASSY	21	CL584	CARRIAGE
9	CL192	1/4-20X1/4 SSS	22	CL588	SWITCH SAFETY STOP 1/4X1
10	CL223	1/4-20X1 1/4 SHCS	23	CL602	O RING
11	CL225	10/24X1/4 BSHS	24	CL185	1/4" LOCK WASHER
12	CL245-1	DIVISION LABEL (.002)	25	CL098	5/16 JAM NUT
13	CL265-2	PLASTIC HANDLE	26	CL741	10/24 X 3/8 BSHS

* Item #17 Lead Screw – Only available as a kit, which consist of the gear block & lead screw

Tool Plate

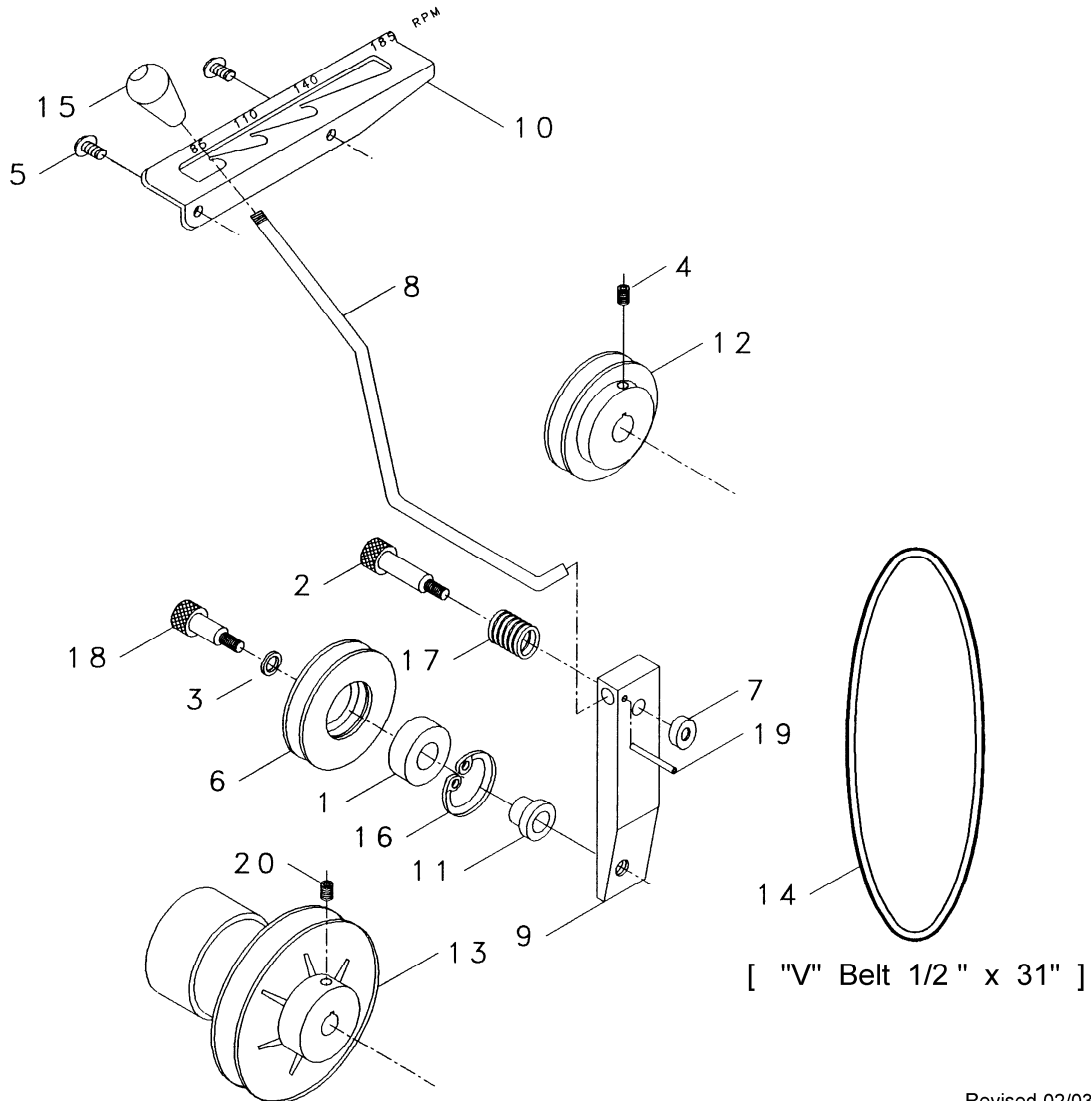


Revised 11/01

NO.	PART NO.	DESCRIPTION	NO.	PART NO.	DESCRIPTION
1	CL39	TOOLBIT SCREW 6/32 X 3/8	20	CL575	TOOL HOLDER CLAMP
2	CL56-1	Positioning Screw (L) 2 1/4" long RHT	21	CL596	WASHER (3/8 SAE)
3	CL57-1	Positioning Screw (R) 2 1/4" long LHT	22	CL604	SUPPORT BLOCK
4	CL70	TOOL ADJUSTING NUT (R) LHT	23	CL605	TOOL PLATE
5	CL71	TOOL ADJUSTING NUT (L) RHT	24	CL606	ALIGNING BLOCK
6	CL75-1	STRIPPER BOLT 5/16-1	25	CL607	TOOL POSITIONING KNOB
7	CL142	SPRING WASHER	26	CL608	INDICATOR DIAL (L)
8	CL156	WASHER	27	CL609	INDICATOR DIAL (R)
9	CL170	SQ. HD. SS 5/16-18 X 3/4	28	CL610	TOOL HOLDER - LEFT
10	CL191	5/16-24 X 3/4 SSS	29	CL611	TOOL HOLDER - RIGHT
11	CL211	SPRING WASHER	30	CL612	SPRING
12	CL223	1/4-20 X 1 1/4 SHCS	31	CL776	"T" BOLT - 2 1/2"
13	CL245-1	DIVISION LABEL (.002)	32	CL623	8/32 X 3/4" SHCS
14	CL254	"O" RING	33	CL624	SQ. HD. SS 5/16-18 X 1/2
15	CL502	BORING BAR HOLDER	34	CL625	LOCKING SCREW & KNOB
16	CL523	BORING BAR	35	W139	CARBIDE INSERT TOOL BIT (PKG. OF 10)
17	CL527	HEX NUT 1/2-13	36	W140	TOOL BIT HOLDER (DISC)
18	CL528	"T" BOLT - 4 1/2"	37	CL77	10/32 X 1/2 SHCS
19	CL566	SQ. HD. SS 1/2-13 X 1	38	W140-1	TOOL BIT HOLDER (DRUM)

CL605A Disc Tool Plate assembly
 CL502A Drum Boring bar assembly

Speed Changer Assembly



Revised 02/03

No.	Part No.	Description	No.	Part No.	Description
1	CL20	BEARING	12	CL683	PINION PULLEY
2	CL174-1	SHOULDER BOLT	13	CL686	DRIVE PULLEY
3	CL182	SPRING WASHER	14	CL687	Belt 1/2" x 32" up to #4846
4	CL192	1/4-20 X 1/4 SSS		CL697	Belt 1/2" X 31" (4L310)
5	CL656	1/4-20 X 1/2 BSHS			From SN #4847V0696
6	CL673	IDLER PULLEY	15	CL688	PLASTIC KNOB
7	CL674	SPACER	16	CL689	SNAP RING
8	CL675	SPEED CHANGE LEVER	17	CL690	SPRING
9	CL676	IDLER PULLEY BRACKET	18	CL691	SHOULDER BOLT
10	CL677	SPEED CHANGE BRACKET	19	CL692	SPRING PIN 1/8 X 1/2
11	CL682	BUSHING	20	CL727	HALF DOG